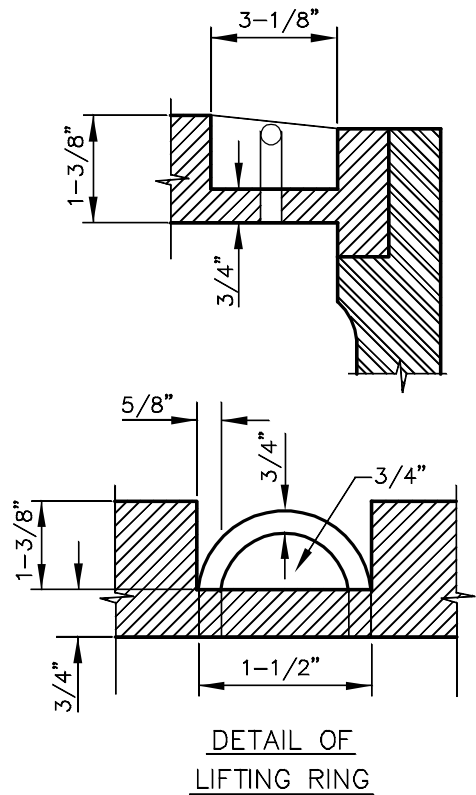


NOTE :
CASTINGS TO BE GRAY IRON,
ASTM A-48, CLASS 30



MANHOLE FRAME AND COVER

NOT TO SCALE

MANHOLE FRAME AND COVER

**SPRING - BENNER - WALKER
JOINT AUTHORITY**

DATE
4/05
SCALE
NTS
PROJECT
SHEET
6