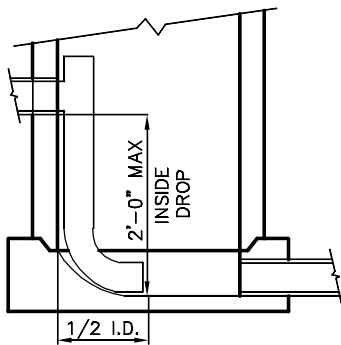
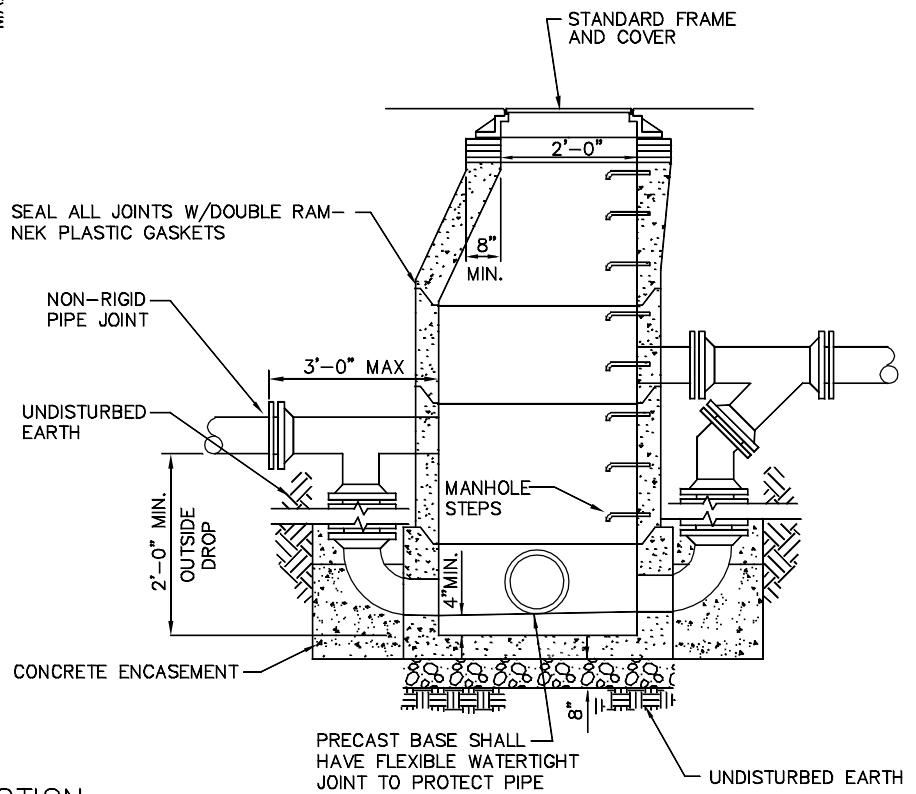


PLAN



**NOTES:**

1. A DROP CONNECTION SHALL BE INSTALLED WHEN THE PIPE INVERTS INTO THE MANHOLE ARE 2 FEET OR MORE ABOVE THE INVERT OUT.
2. AN INTERNAL DROP CONNECTION SHALL BE INSTALLED WHEN THE PIPE INVERTS INTO THE MANHOLE ARE MORE THAN 1' AND LESS THAN 2' ABOVE THE INVERT OUT.
3. REFER TO SECTION 02605 OF THE SPECIFICATIONS FOR MANHOLE CONSTRUCTION DETAILS.



SECTION

**SANITARY SEWER DROP MANHOLE DETAIL**

NOT TO SCALE